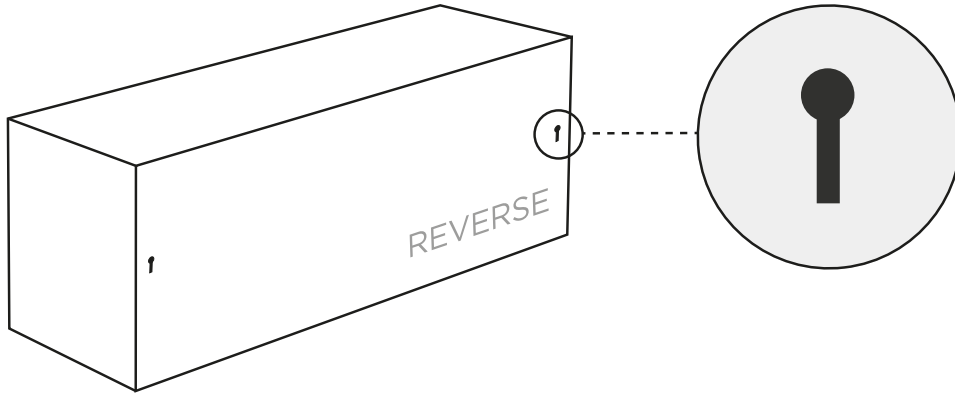
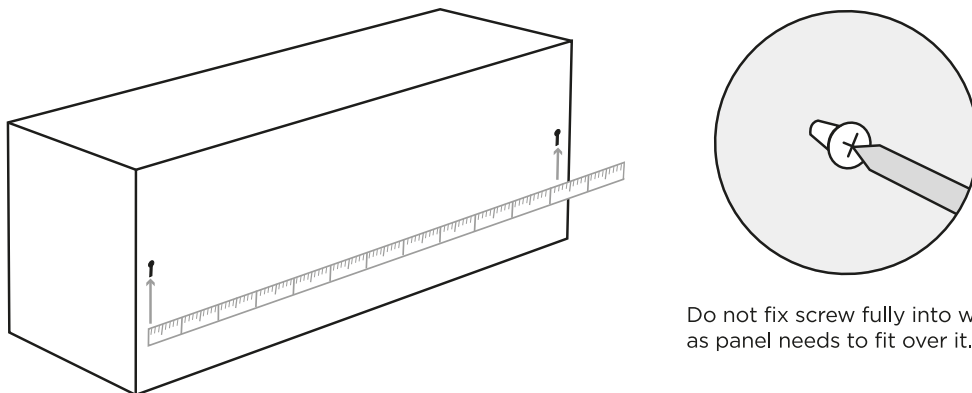


SOFFIT KEYHOLES

- 1** Our bass traps have built in keyhole slots on either side. Stickers indicate where the keyhole is so you can cut through the fabric covering to expose the hole.



- 2** Measure width between centres of keyholes and mark on wall. Use appropriate screws and plugs for wall type. Check screw head fits through keyhole and along channel comfortably before fixing.



Do not fix screw fully into wall as panel needs to fit over it.

- 3** Push panel onto screws and pull downwards to secure into place.

